



Le moyeu amovible est l'interface entre l'arbre de transmission et de nombreux composants mécaniques. Fabriqués sur centres d'usinage automatisés :

- Positionnement angulaire des trous irréprochable
- Fonte haute résistance G3000
- Phosphatation pour résistance à la corrosion 200hbs
- alésage H7 et Ra√1.6
- Excellent maintien sur l'arbre
- Emballage individuel CMW plastifié et renforcé
- Vis et notice incluses.

Disponibles en "packs industriels" pour en faciliter la manipulation.

STOCK ET PRIX
SUR ITAFRAN.COM

STOCK AND PRICES
ON ITAFRAN.COM

| Ø d mm | b mm | h mm | 3020 * | | 3030 | | 3525 | | 3535 | | 4030 | |
|-----------|---------|---------|-----------------|-------------|-----------------|-------------|------------------|-------------|------------------|-------------|------------------|-------------|
| | | | Code | Masse kg | Code | Masse kg | Code | Masse kg | Code | Masse kg | Code | Masse kg |
| 25 | 8 | 3,3 | MX3020025 | 2,94 | MX3030025 | 4,11 | | | | | | |
| 28 | | | MX3020028 | 2,89 | MX3030028 | 4,00 | | | | | | |
| 30 | | | MX3020030 | 2,86 | | | | | | | | |
| 32 | 10 | 3,3 | MX3020032 | 2,82 | | | | | | | | |
| 35 | | | MX3020035 | 2,76 | MX3030035 | 3,84 | MX3525035 | 4,99 | MX3535035 | 6,73 | | |
| 38 | | | MX3020038 | 2,70 | MX3030038 | 3,74 | MX3525038 | 4,91 | MX3535038 | 6,63 | | |
| 40 | 12 | 3,3 | MX3020040 | 2,65 | MX3030040 | 3,67 | MX3525040 | 4,85 | MX3535040 | 6,51 | MX4030040 | 7,64 |
| 42 | | | MX3020042 | 2,60 | MX3030042 | 3,60 | MX3525042 | 4,79 | MX3535042 | 6,43 | MX4030042 | 7,57 |
| 45 | 14 | 3,8 | MX3020045 | 2,53 | MX3030045 | 3,49 | MX3525045 | 4,70 | MX3535045 | 6,35 | MX4030045 | 7,45 |
| 48 | | | MX3020048 | 2,44 | MX3030048 | 3,36 | MX3525048 | 4,60 | MX3535048 | 6,07 | MX4030048 | 7,33 |
| 50 | | | MX3020050 | 2,39 | MX3030050 | 3,28 | MX3525050 | 4,52 | MX3535050 | 5,97 | MX4030050 | 7,24 |
| 55 | 16 | 4,3 | MX3020055 | 2,23 | MX3030055 | 3,05 | MX3525055 | 4,33 | MX3535055 | 5,70 | MX4030055 | 7,01 |
| 60 | | | MX3020060 | 2,06 | MX3030060 | 2,79 | MX3525060 | 4,12 | MX3535060 | 5,40 | MX4030060 | 6,76 |
| 65 | 18 | 4,4 | MX3020065 | 1,88 | MX3030065 | 2,51 | MX3525065 | 3,89 | MX3535065 | 5,08 | MX4030065 | 6,48 |
| 70 | | | MX3020070 | 1,68 | MX3030070 | 2,22 | MX3525070 | 3,64 | MX3535070 | 4,73 | MX4030070 | 6,18 |
| 75 | 20 | 4,9 | MX3020075 | 1,46 | MX3030075 | 1,90 | MX3525075 | 3,37 | MX3535075 | 4,36 | MX4030075 | 5,86 |
| 80 | | | | MX3030080 | 1,85 | MX3525080 | 3,09 | MX3535080 | 3,96 | MX4030080 | 5,52 | |
| 85 | 22 | 5,4 | | | | | MX3525085 | 2,78 | MX3535085 | 3,53 | MX4030085 | 5,15 |
| 90 | | | | | | | | MX3525090 † | 2,46 | MX3535090 | 3,08 | MX4030090 |
| 95 | 25 | 5,4 | | | | | MX3525095 † | 2,25 | | | MX4030095 | 4,36 |
| 100 | | | | | | | | MX3525100 ‡ | 1,87 | | | MX4030100 |
| 105 | 28 | 6,4 | | | | | | | | | MX4030105 | 3,68 |
| 110 | | | | | | | | | | | | MX4030110 |
| 115 | 32 | 7,4 | | | | | | | | | MX4030115 | 2,65 |
| De | | | 108 | | 108 | | 127 | | 127 | | 146 | |
| L | mm | | 50,8 | | 76,2 | | 63,5 | | 88,9 | | 76,2 | |
| | pouce | | 2" | | 3" | | 2"1/2 | | 3"1/2 | | 3" | |
| Vis | | | HC 5/8" x 1"1/4 | | HC 5/8" x 1"1/4 | | CHC 1/2" x 1"1/2 | | CHC 1/2" x 1"1/2 | | CHC 5/8" x 1"1/4 | |

† : low key - Clavette basse. h = 3,4 mm.
‡ : low key - Clavette basse. h = 4,45 mm.

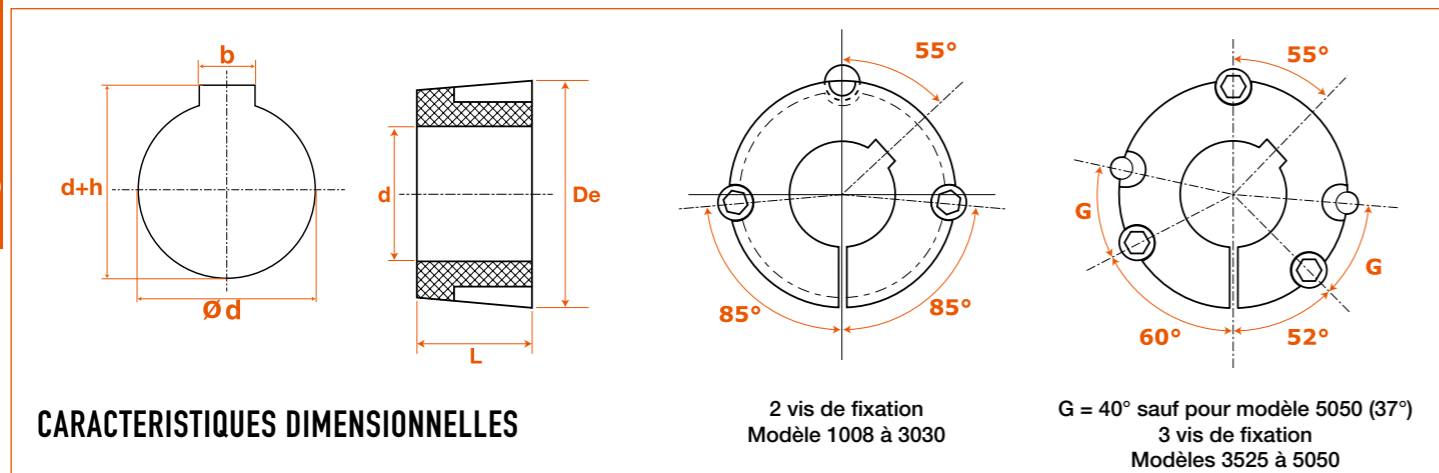
** : 3020 : available in steel, pilot bored 25mm. - Disponible sur stock en acier, préalésé à 25 mm.

Taper bush is the link between transmission shaft and numerous mechanical components. Manufactured on automated machining centre:

- impeccable angular positioning of holes
- high resistance G3000 casting
- black phosphating for resistance to corrosion 200HBS
- bored H7 and Ra√1.6
- excellent hold on shaft
- individual CMW plastic-backed packaging
- screws and manual included

Available in "industrial packs" to facilitate handling

| Ø d mm | b mm | h mm | 4040 | | 4535 | | 4545 | | 5040 | | 5050 | |
|-----------|---------|---------|------------------|-------------|--------------|-------------|--------------|-------------|------------------|-------------|------------------|-------------|
| | | | Code | Masse kg | Code | Masse kg | Code | Masse kg | Code | Masse kg | Code | Masse kg |
| 30 | 12 | 3,3 | | | | | | | | | | |
| 32 | | | | | | | | | | | | |
| 35 | | | | | | | | | | | | |
| 38 | | | | | | | | | | | | |
| 40 | | | MX4040040 | 9,92 | | | | | | | | |
| 42 | | | MX4040042 | 9,82 | | | | | | | | |
| 45 | 14 | 3,8 | | | | | | | | | | |
| 48 | | | MX4040048 | 9,50 | | | | | | | | |
| 50 | | | MX4040050 | 9,39 | | | | | | | | |
| 55 | 16 | 4,3 | MX4040055 | 9,08 | MX4535055 | 11,5 | MX4545055 | 14,9 | | | | |
| 60 | | | MX4040060 | 8,74 | MX4535060 | 11,2 | MX4545060 | 14,5 | | | MX5050050 | 18,2 |
| 65 | 18 | 4,4 | MX4040065 | 8,37 | MX4535065 | 10,8 | MX4545065 | 14,1 | | | MX5050065 | 17,9 |
| 70 | | | MX4040070 | 7,97 | MX4535070 | 10,5 | MX4545070 | 13,6 | MX5040070 | 14,6 | MX5050070 | 17,5 |
| 75 | 20 | 4,9 | MX4040075 | 7,55 | MX4535075 | 10,1 | MX4545075 | 13,1 | MX5040075 | 14,1 | MX5050075 | 17,0 |
| 80 | | | MX4040080 | 7,09 | MX4535080 | 9,72 | MX4545080 | 12,6 | MX5040080 | 13,7 | MX5050080 | 16,4 |
| 85 | 22 | 5,4 | MX4040085 | 6,60 | MX4535085 | 9,29 | MX4545085 | 12,1 | MX5040085 | 13,2 | MX5050085 | 15,8 |
| 90 | | | | MX4040090 | 6,09 | MX4535090 | 8,84 | MX4545090 | 11,5 | MX5040090 | 12,7 | MX5050090 |
| 95 | 25 | 5,4 | MX4040095 | 5,54 | MX4535095 | 8,36 | MX4545095 | 10,9 | MX5040095 | 12,2 | MX5050095 | 14,5 |
| 100 | | | | MX4040100 | 4,97 | MX4535100 | 7,86 | MX4545100 | 10,2 | MX5040100 | 11,6 | MX5050100 |
| 105 | 28 | 6,4 | | | MX4535105 | 7,33 | MX4545105 | 9,55 | MX5040105 | 11,0 | MX5050105 | 13,0 |
| 110 | | | | | | MX4535110 | 6,78 | MX4545110 | 8,84 | MX5040110 | 10,3 | MX5050110 |
| 115 | 32 | 7,4 | | | MX4535115 | 6,51 | | | MX5040115 | 9,68 | MX5050115 | 11,4 |
| 120 | | | | | | MX4535120 | 5,86 | | | MX5040120 | 8,99 | MX5050120 |
| 125 | | | | | MX4535125 | 5,19 | | | MX5040125 | 8,27 | MX5050125 | 9,60 |
| De | | | 146 | | 162 | | 162 | | 177,5 | | 177,5 | |
| L | mm | | 101,6 | | 88,9 | | 114,3 | | 101,6 | | 127 | |
| | pouce | | 4" | | 3"1/2 | | 4"1/2 | | 4" | | 5" | |
| Vis | | | CHC 5/8" x 1"3/4 | | CHC3/4" x 2" | | CHC3/4" x 2" | | CHC 7/8" x 2"1/4 | | CHC 7/8" x 2"1/4 | |



| VIS | | | | |
|--------------------|---------|----------------|-----|-----------------------|
| Diamètre en pouce | Code | Longueur en mm | Clé | Couple de serrage, Nm |
| 1/4" (1008 - 1108) | V1/4 | 13 | 3 | 6 |
| 3/8" (1210 à 1615) | V3/8 | 16 | 5 | 20 |
| 7/16" (2012) | V7/16 | 22 | 5 | 30 |
| 1/2" (2517) | V1/2 | 25 | 6 | 50 |
| 5/8" (3020 - 3030) | V5/8 | 32 | 8 | 90 |
| 1/2" (3525 - 3535) | V1/2CHC | 38 | 10 | 110 |
| 5/8" (4030 - 4040) | V5/8CHC | 44 | 12 | 170 |
| 3/4" (4535 - 4545) | V3/4CHC | 50 | 14 | 190 |
| 7/8" (5040 - 5050) | V7/8CHC | 57 | 17 | 270 |